

MAT- TERS

lualdi

MAT- TERS

lualdi

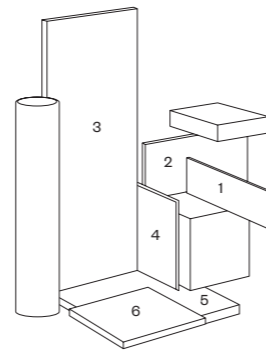
Matters. Like the materials that make up our world. Like what matters, what's valuable and meaningful to us. We set out from the ground up, from the essential aspects of everyday life, to better comprehend their nature and impact on our lives. Materials combined so that they could be viewed from a new perspective. Matters is a suggestion, a reflection, and invitation to experiment.

variation # 1

Texture geometriche e tagli netti esaltano la robustezza e la solidità del legno. Le tonalità più scure delle essenze si uniscono armoniosamente alla vivacità dei tessuti, creando equilibrio visivo e soluzioni sofisticate.

Geometric textures and clean cuts highlight the sturdiness and solidity of the wood. The darker tones of the timbers balance out the vitality of the fabrics, creating visual harmony and sophisticated solutions.

- 1 Brushed brill
- 2 Moka oak
- 3 Chocolat S grey oak on fossil black
- 4 Satin grey glass
- 5 Chocolat R grey oak on fossil black
- 6 Grey oak



variation # 2

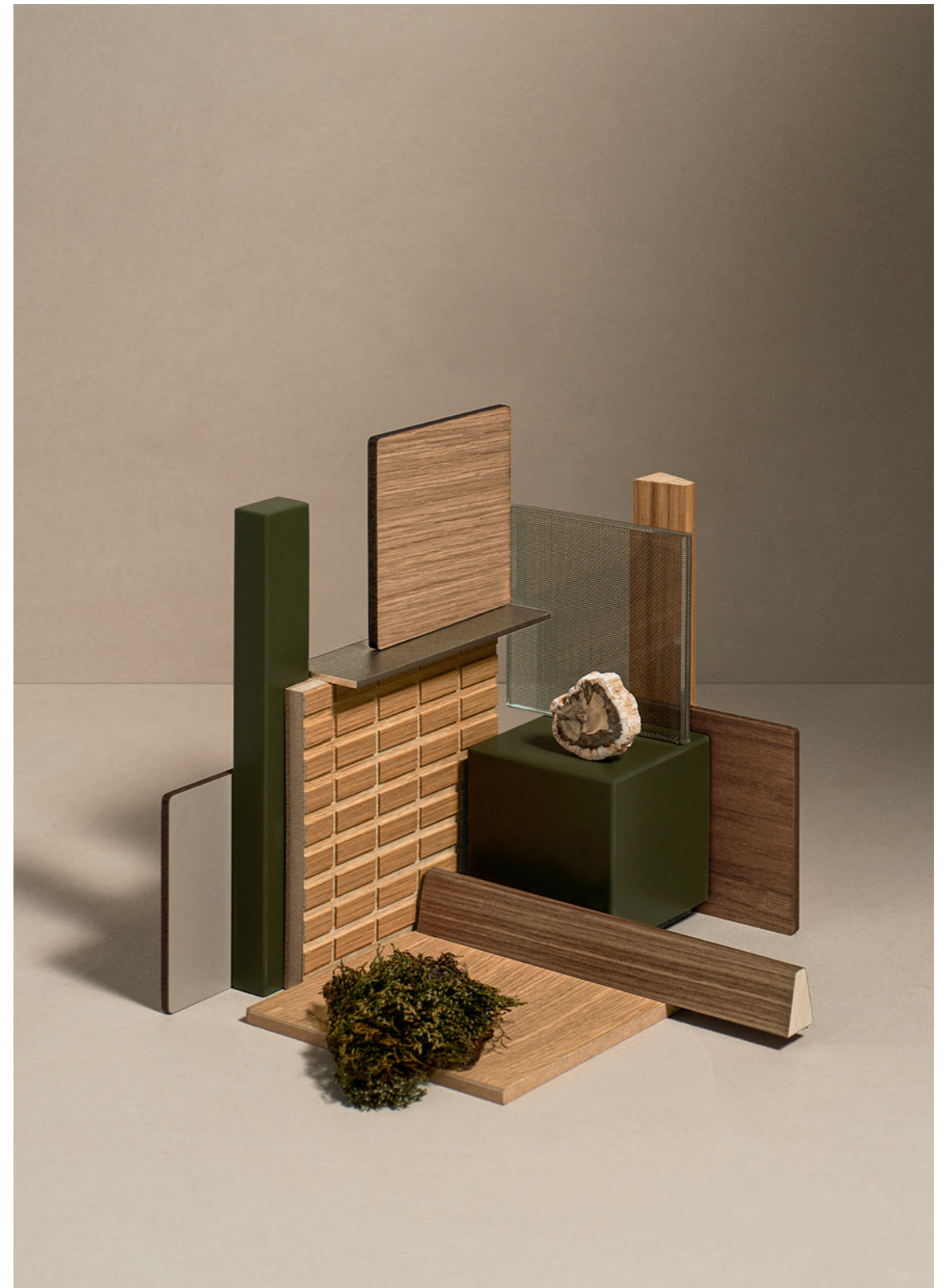
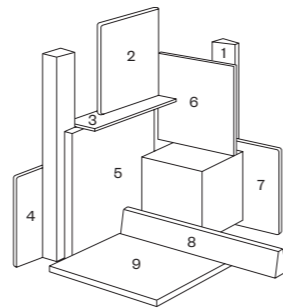
Toni caldi e avvolgenti, ispirazioni provenienti dalla natura.

Le essenze emergono nelle loro tonalità primarie creando un'atmosfera ricca di sfumature e contrasti.

Questa sinfonia richiama l'essenza della terra e la forza degli elementi.

Warm and enveloping hues, inspired by nature. The essences emerge in their primary tones, creating an atmosphere full of nuances and contrasts. A symphony that recalls the essence of the earth, and the power of the elements.

- 1 Natural oak
- 2 Natural oak
- 3 Bronze aluminium
- 4 Clay matt lacquered
- 5 Chocolat R natural oak
- 6 Bronze mesh glass
- 7 Canaletto walnut
- 8 Canaletto walnut
- 9 Natural oak

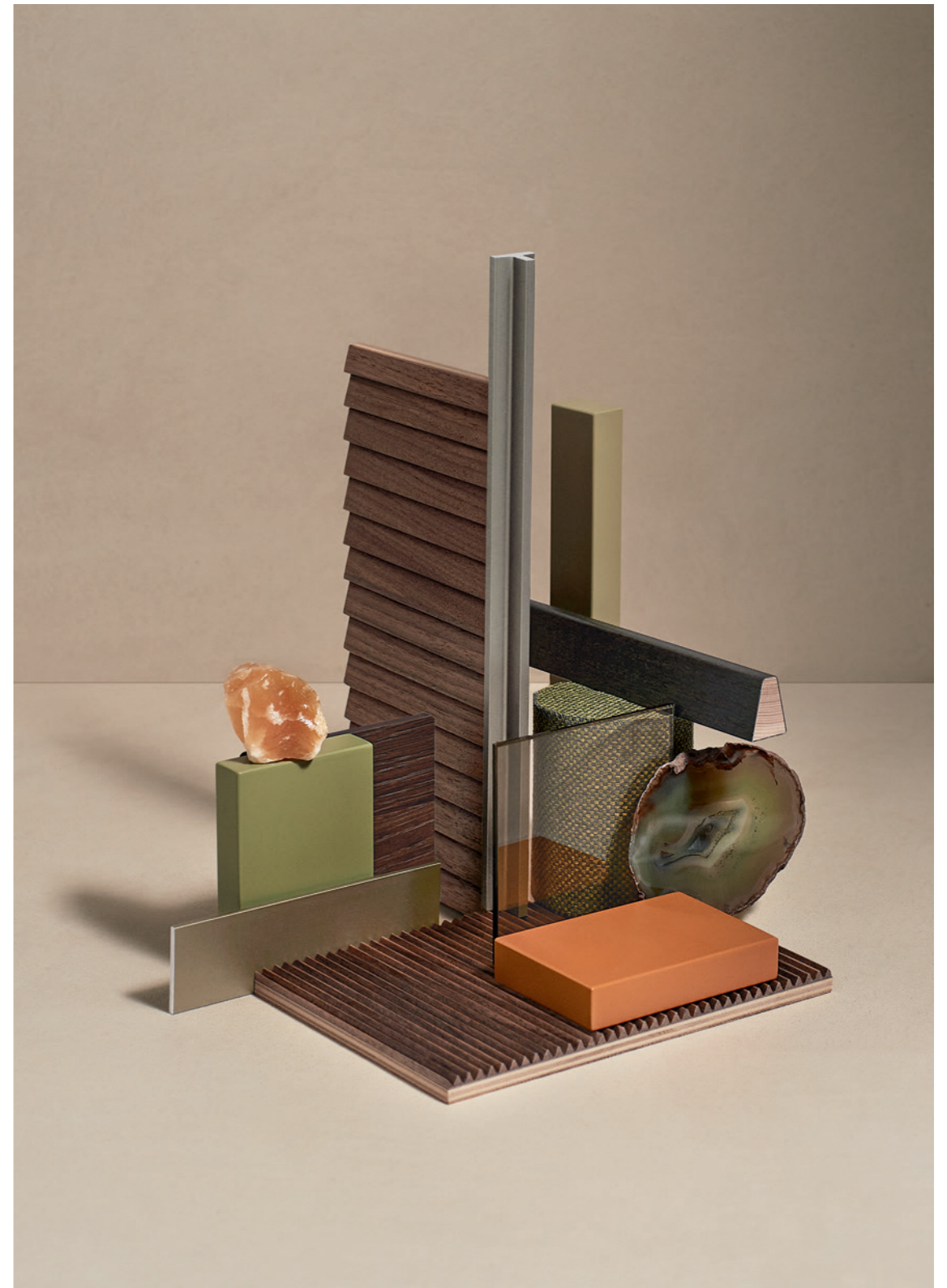
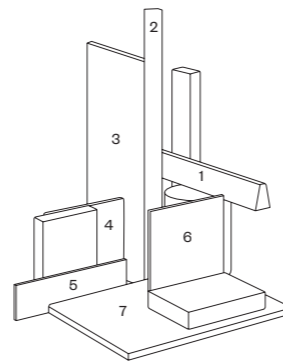


variation # 3

Intagli e lavorazioni tridimensionali impreziosiscono le superfici dei legni. La compattezza dei toni pastello viene ammorbidita dalle trame dei tessuti; l'essenzialità del vetro viene scaldata dai riflessi del bronzo.

Carvings and three-dimensional workmanship embellish the surfaces of the wood. The compact pastel tones are softened by the textures of the fabrics; the essential nature of the glass is warmed by bronze reflections.

- 1 Moka oak
- 2 Titanium aluminium
- 3 Matrix B wood
- 4 Thermowood oak
- 5 Bronze aluminium
- 6 Transparent bronze glass
- 7 Matrix A wood

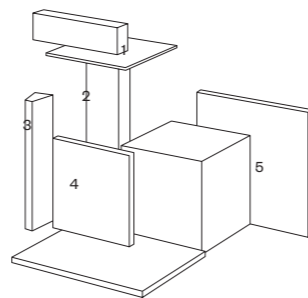


variation # 4

Variazioni cromatiche in cui il grigio viene interpretato attraverso materiali differenti: dalle essenze ai vetri, dai marmi, alla solidità dell'alluminio.

Colour variations where grey is interpreted through different materials, from wood, to glass, to marble, to the solidity of aluminium.

- 1 Transparent grey glass
- 2 Lead grey aluminium
- 3 Grey oak
- 4 Grey transparent fluted glass
- 5 Reflective grey glass



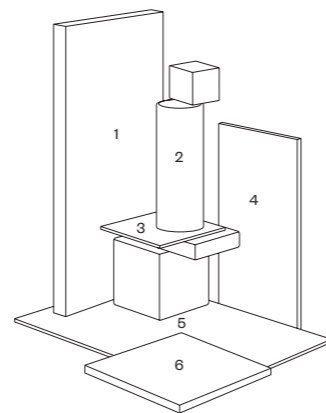
The study of wood's untapped potential evolves, with solutions that turn furniture systems into flexible architectural elements. Tai by Piero Lissoni is a fresh take on boiserie, where energy and depth are merged in a symmetrical alternation of geometric decorations in relief.

variation # 5

Texture inaspettate prendono forma grazie all'intensità dei toni scuri e si contrappongono a vetri dal sapore industriale, in un equilibrio elegante e contemporaneo.

Unexpected textures take shape thanks to the intensity of dark tones, juxtaposed with glasses with a dash of industrial style, striking an elegant and contemporary balance.

- 1 Vertical black fossil oak
- 2 Black smooth leather
- 3 Dove grey backpainted glass
- 4 Ying boiserie moka oak
- 5 Transparent grey glass
- 6 Black fossil oak

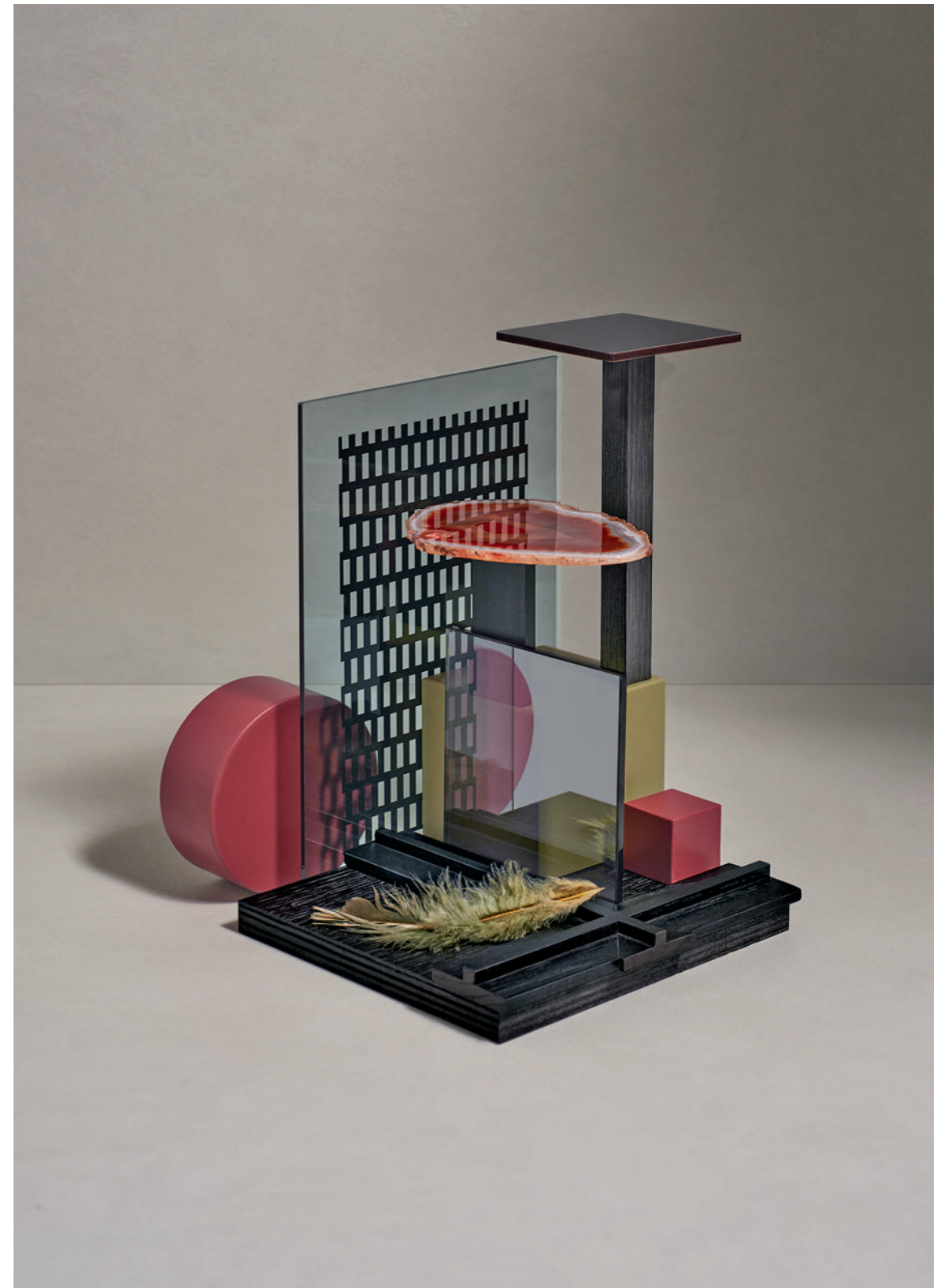
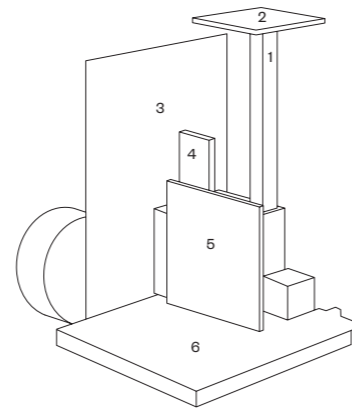


variation # 6

Sperimentazioni innovative sulla materia.
Il vetro serigrafato insieme alla boiserie Tai:
specchio e alluminio in una contaminazione
di elementi, come espressione del dialogo
fra tradizione e tecnologia.

Innovative experimentation with matter.
Screen-printed glass with Tai boiserie:
mirror and aluminium in a contamination
of elements, expressing the dialogue
between tradition and technology.

- 1 Moka oak
- 2 Iron grey matt lacquered
- 3 Liquorice on transparent grey glass
- 4 Black aluminium
- 5 Reflective grey glass
- 6 Tai on black fossil oak

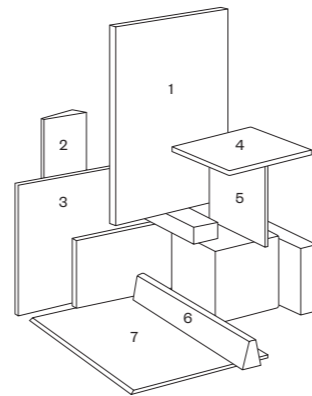


variation # 7

Testa di moro, verde salvia, arancio.
Calde tonalità autunnali si alternano
alla trasparenza di vetri caratterizzati
da texture tridimensionali.

Dark brown, sage green, orange.
Warm hues alternate with the
transparency of glass, characterised
by three-dimensional textures.

- 1 Matrix B
- 2 Bronze aluminium
- 3 Marks satin extraclear glass
- 4 Ivory matt lacquered
- 5 Satin bronze glass
- 6 Canaletto walnut
- 7 Flutes Mini satin pure white backpainted glass

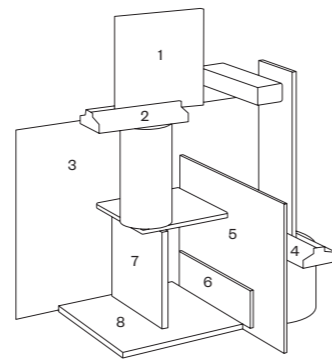


variation # 8

Toni chiarissimi e trasparenze
si fondono con accenti azzurri
e blu per un mood quasi etereo.

Light tones and transparencies blend
with light and darker blue details to
create a near-ethereal mood.

- 1 Chalk white backpainted glass
- 2 Natural aluminium
- 3 Rippled glass
- 4 White aluminium
- 5 Flutes Mini satin extraclear glass
- 6 White aluminium
- 7 Transparent extraclear fluted glass
- 8 Marks extraclear glass



The exploration of glass and its new potential paves the way for the study of patterns and decorations that embellish and give the product a new identity. Liquorice is a finish characterised by geometric screen-printed glass decorations that embellish the lines of the door frames and glass surfaces.

Lualdi Spa

Via Kennedy
20010 Marcallo con Casone (MI)
T. +39 02 94363000
www.lualdi.com
info@lualdi.com

Showroom**Milano**

Foro Buonaparte 74
20121 Milano
T. +39 02 8052445
showroom@lualdi.com

Miami

Lualdi Inc.
6101 Biscayne Blvd,
Miami, FL 33137
T. +1 305 5764333
infomiami@lualdi.us

New York

584 Broadway, suite 1005.
New York, NY 10012
T. +1 212 334 4544
infony@lualdi.us

Los Angeles

8784 Beverly Blvd,
West Hollywood,
CA 90048
T. +1 310 734 7088
info@lualdi.us

a.d. Lissoni Graphx

foto Andrea Ferrari

styling Studio Salaris

retouching, pre press A. De Pedrini

stampa Grafiche Mariano 2023

I colori e le finiture, le illustrazioni
e le descrizioni del presente
catalogo sono a titolo indicativo.
Lualdi spa si riserva il diritto di
apportare, anche senza preavviso,
modifiche di carattere tecnico
e produttivo.

The colours, finishes, illustrations
and descriptions in this catalogue
are provided solely by way
of example. Lualdi spa reserves
the right to make technical
and design changes without
prior notice.

